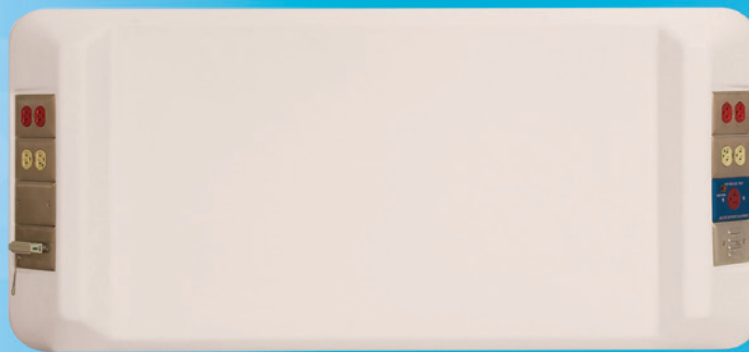


# overbed light



# bed locator



## overbed light

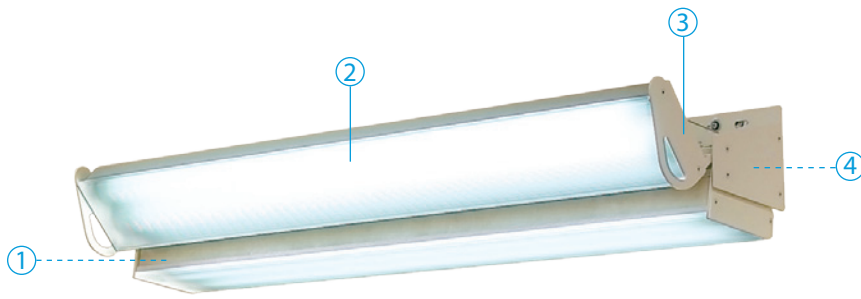
- micro-switch bed-stop safety feature to prevent damage from rising bed
- optional low voltage controller provides easily accessible switching
- over 2000 colors of hospital grade laminate to select from including Formica and Wilson Art to meet the rooms décor and match headwall system
- overbed and ceiling mount options available in 3 and 5 function

## bed locator

- single piece high impact resistant Kydex to increase durability
- conduit raceways allow for custom configurations and future modifications of electrical and communication services
- designed to safely position and secure hospital bed preventing damage to walls

# overbed lights and bed locators

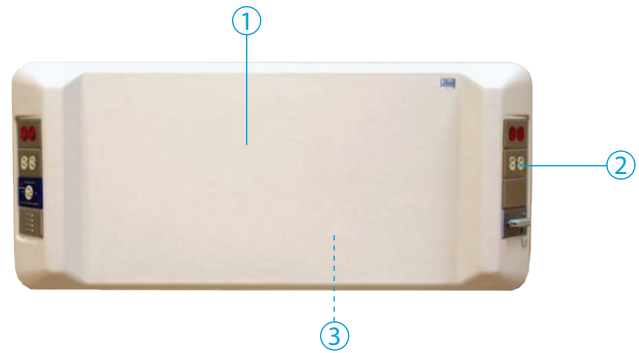
## product features



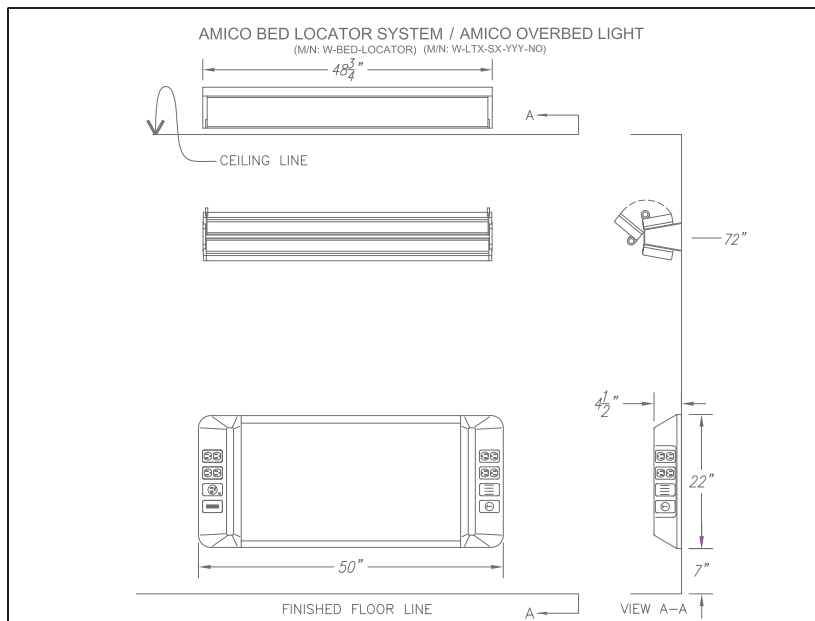
- ① sound rated ballasts for separate up and down light operation
- ② high impact resistant clear ribbed lens
- ③ pull down handles swivel light downwards toward patient area for bedside exam
- ④ automatic bed-stop interlock safety feature

## product features

- ① made from single-piece high impact vacuum formed Kydex material
- ② accommodates up to four electrical/communication devices on each side of the unit
- ③ conduit raceways used for low voltage, normal and emergency power



## typical drawing



Please visit [www.amico.com](http://www.amico.com) for all technical specifications, installation instructions, detailed AutoCAD drawings and more.

## represented by: